

## DAVIT LOCK



TO LOCK DAVIT: Place the lock assembly inside the base collar so that it is over the roller assembly. Insert lock handle into threaded hole and tighten into place turning clockwise.



## YOUR ID

Record your Model Number, purchase date and Dealer information below.

Please retain this booklet and refer to it when inquiring about your Davit.

MODEL NUMBER \_\_\_\_\_

DATE OF PURCHASE \_\_\_\_\_

DEALER \_\_\_\_\_  
\_\_\_\_\_  
\_\_\_\_\_



## OWNERS MANUAL BOAT DAVIT- 2014

LIFT CAPACITIES: 600 LB. THROUGH 10,000 LB.

SEAWALL MOUNTS    PILE MOUNTS    DOCK MOUNTS

DIRECT DRIVE WINCHES    BELT DRIVE WINCHES    MANUAL WINCHES

**READ THIS MANUAL CAREFULLY BEFORE  
OPERATING DAVIT**

**1.800.878.5560**

OR VISIT

[www.davitmaster.com](http://www.davitmaster.com)

## WARNING

### ***INJURY OR DEATH COULD RESULT IF YOU IGNORE ANY OF THE FOLLOWING***

- For use by adults only.
- Never leave davits running while unattended.
- Keep hands and clothing away from moving parts.
- Davits are not designed for human lift.
- Never allow anyone in the boat while lifting or lowering.
- Do not load the davit system beyond its capacity.

## CAUTION

- Always shut your system off once boat is lifted .
- Use caution when rotating load.
- Stay out from under lifted load.
- Davits are heavy marine equipment – treat as such.
- Davit Master is not responsible for condition of pilings, dock or seawall.

## MAINTENANCE

- Lubricate cable with a lubricating spray grease 1-2 times a year. Apply as the cable spools onto the drum.
- Replace cable every 2 years or as soon as cable shows wear.
- Keep pulleys, rollers and base pivot greased.
- Electric Winches- gear box should be about half full. Call factory for type of oil or grease to use.
- Grease all exposed gears & shafts.

## OPERATION

1. Secure bow hooks and stern hooks to lifting eyes on boat
2. Turn on bow winch until there is tension on the cable and bow is slightly out of the water then turn winch off.
3. Turn on stern winch. Raise stern until boat is slightly out of the water and ready to lift.
4. Remove drain plug and prepare boat for storage as required.
5. Raise boat until it is out of the water, above wave action, and at the elevation that you want and then turn off winches (Bow should be set higher than stern for water to drain).
6. Unplug or turn off power – Install davit locks and winch covers..

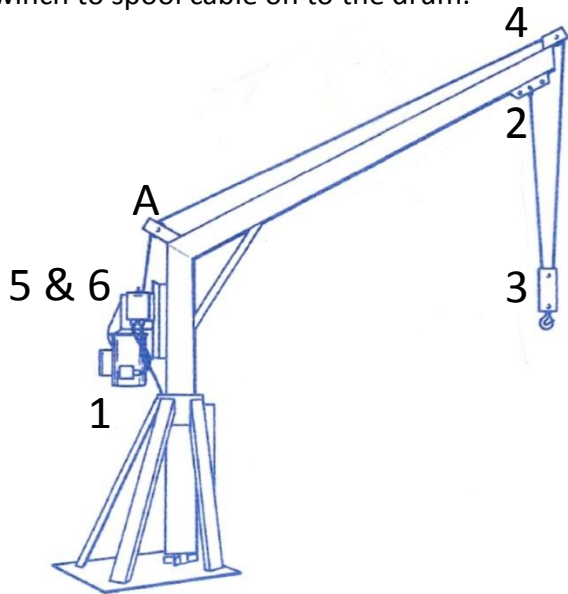
## IN-BOARDING

*In-boarding can only be done when the davits are installed in concrete behind the seawall. Do not in-board more than 1000 lb. load with pile mount davits.*

1. Remove locks from the base of the davit
2. In-board boat by pulling in and forward on the stern of your boat
3. Continue pulling in on the stern until stern and bow are over the seawall.
4. Center boat between the davits. Lower boat onto chocks, turn off winches and install the davit locks.

## CABLING – 2 PART RIGGING

1. Attach winch to davit.
2. Uncoil cable, attach shackled end to cable bracket at underside of davit arm.
3. Remove cable stop and feed free end of cable over of the 2-part snatch block
4. Feed cable over pulley top end of the davit arm and then over pulley at the davit bend (A).
5. Attach cable to winch by passing it through the cable drum flange. Place the cable stop on the end of the cable, lay cable and stop on a hard surface and mash with a hammer.
6. Pull slack back through the drum and then turn on the winch to spool cable on to the drum.



## CABLING – 3 PART RIGGING

1. Install travel block to cable bracket at underside of davit arm
2. Attach winch to davit
3. Uncoil cable, attach thimble end to top bolt of the 3-part snatch block.
4. Remove cable stop and feed free end of cable over pulley of travel block.
5. Pull through and feed end of cable over pulley of 3-part snatch block.
6. Feed cable over pulley top end of the davit arm and then over pulley at the davit bend (A)
7. Attach cable to winch by passing it through the cable drum flange. Place the cable stop on the end of the cable, lay cable and stop on a hard surface and mash with a hammer.
8. Pull slack back through the drum and then turn on the winch to spool cable on to the drum.

