

# Davit Master®

*Power to Lift - Quality to Last*

5560 Ulmerton Road, Clearwater, Florida 33760  
1-800-878-5560 • (727) 573-4414 • Fax: (727) 572-0590

## BOAT RAMP WINCH INSTALLATION INSTRUCTIONS

**WORDS OF CAUTION:** Read this manual carefully before installing the DavitMaster Boat Ramp Winch. When installing the winch, use the mounting holes provided on the winch base plate. **Alteration of the base plate may void your warranty. The mounting plate must be allowed to flex in order to maintain proper gear to gear tension and alignment. Additional bolts installed to the plate, especially the gear box side of the plate, will cause misalignment of the gears which would void your warranty.**

The percentage of grade of the boat ramp must be determined before installing the Boat Ramp Winch.  
DavitMaster is **NOT** responsible for the integrity of the installation foundation.

**MAINTENANCE KIT:** DavitMaster offers a **MAINTENANCE KIT** for your Boat Ramp Winch which includes: lubricating spray grease; a grease gun and grease; a flexible grease gun hose; cold galvanizing spray. These products come in a small carrying case and can be shipped via UPS.

### RISE VS. ROLLING LOAD CAPACITY

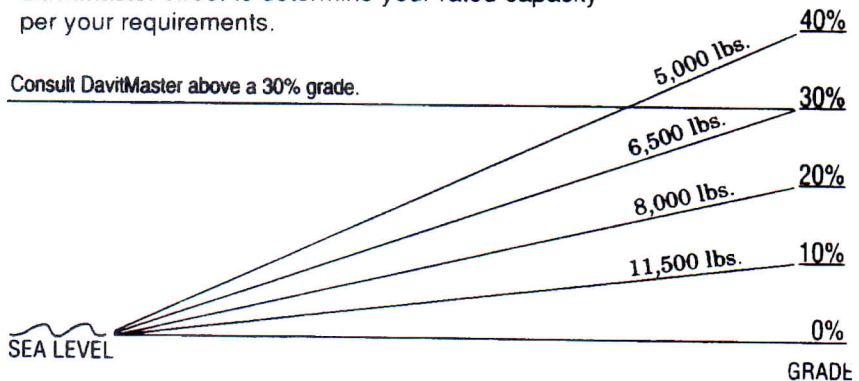
GRADE%	=	ANGLE°	=	RISE" IN 12'
0%	=	0°	=	0"
10%	=	6°	=	14"
20%	=	11°	=	29"
30%	=	17°	=	43"
40%	=	22°	=	58"
50%	=	26°	=	72"
60%	=	31°	=	86"
70%	=	35°	=	101"
80%	=	39°	=	115"
90%	=	42°	=	130"
100%	=	45°	=	144"

The Boat Ramp Winch (BR-65) has a rated capacity of 6,500 lbs. at a 30% grade or 17° angle. The capacity of the winch is determined in part by the degree of rise from sea level to your boat storage area.

**CAUTION:** Damage to your winch may result when used for rises over a 30% grade, because the capacity of the winch diminishes considerably over a 30% grade.

To assure ultimate performance and safety consult DavitMaster direct to determine your rated capacity per your requirements.

Consult DavitMaster above a 30% grade.

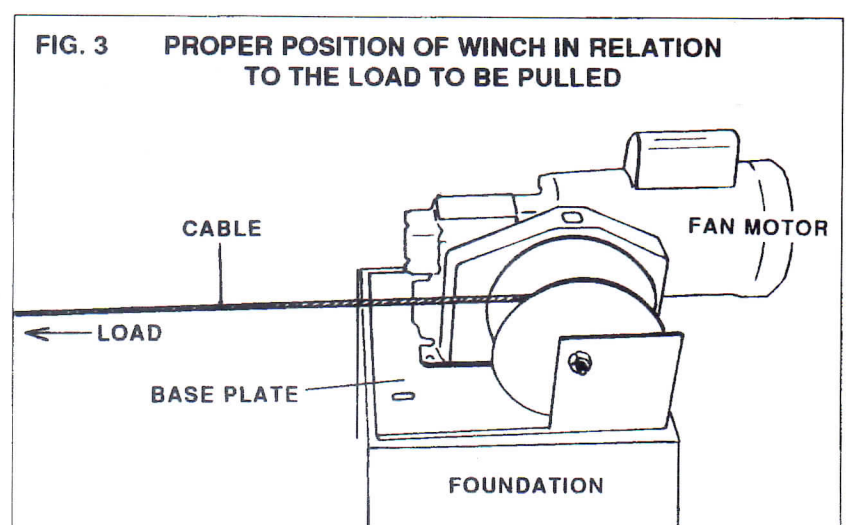
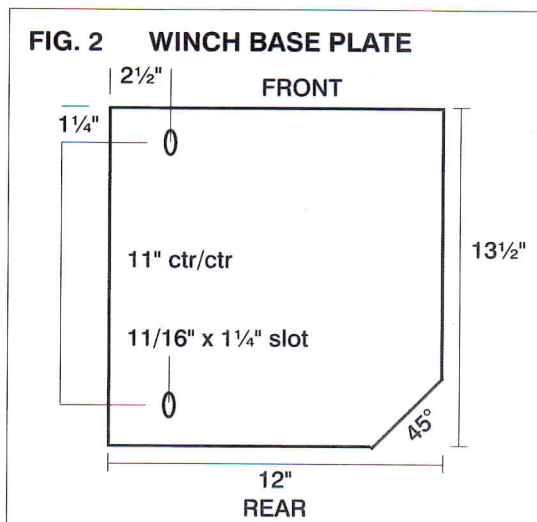
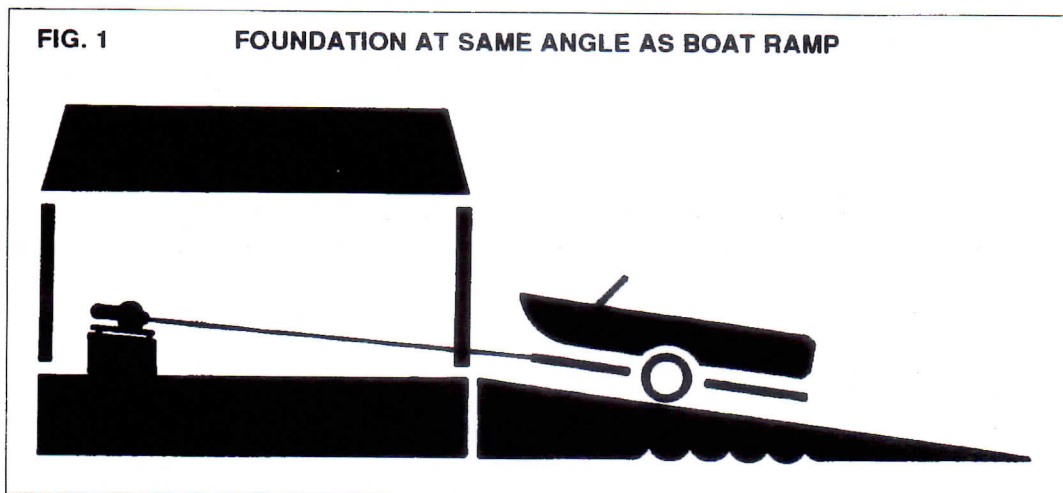


1. The Boat Ramp Winch (BR-65) is shipped completely assembled and ready to install, unless otherwise requested.
2. Once grade and rated capacity is determined and you are ready to install your winch.

## MOUNTING THE BOAT RAMP WINCH TO A SOLID FOUNDATION

**IMPORTANT:** The boat ramp winch must be installed with the motor facing away from the load (boat) to be pulled.  
 Use only the mounting holes provided.  
 The mounting plate must be installed at approximately the same angle as the incline of the boat ramp.

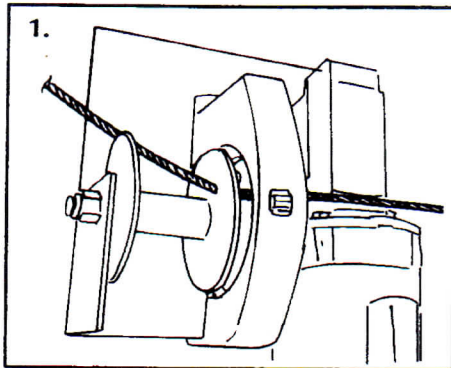
1. Establish a firm, solid foundation at approximately the same angle as the incline of the boat ramp (Fig 1).
  2. The foundation must be raised above the floor 1" or higher. There must be enough height so cable has a clear run over the full incline, from winch to load (refer to Fig. 1).
  3. Install the base plate to the foundation using 5/8" bolts. Use only the mounting holes provided. These holes are 11/16" X 1 1/4" slots, on 11" centers (Fig. 2).
- NOTE:** The base plate must be installed with the winch fan motor facing **AWAY** from the load to be pulled (Fig. 3).



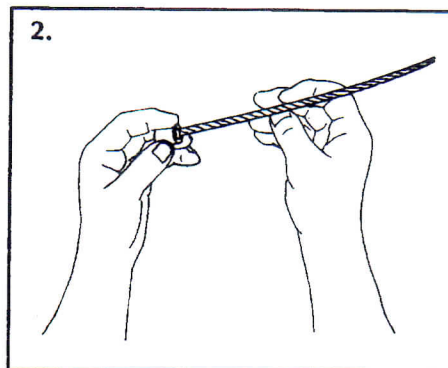
# "STEP-BY-STEP" INSTRUCTIONS FOR ATTACHING CABLE TO WINCH

**NOTE:** Refer to DavitMaster's BOAT RAMP WINCH MAINTENANCE GUIDE for instructions on lubricating cable as it spools onto the cable drum. For added protection we offer custom vinyl winch covers.

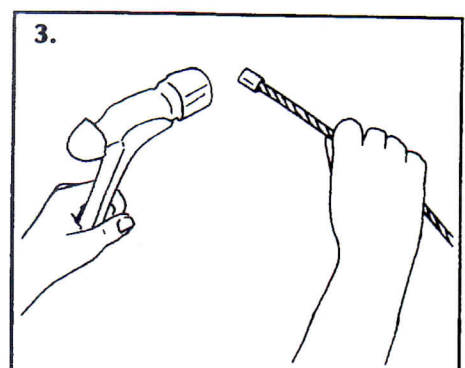
1. Once the winch is properly installed, you are ready to attach the cable. Follow these simple instructions for easy cable installation.



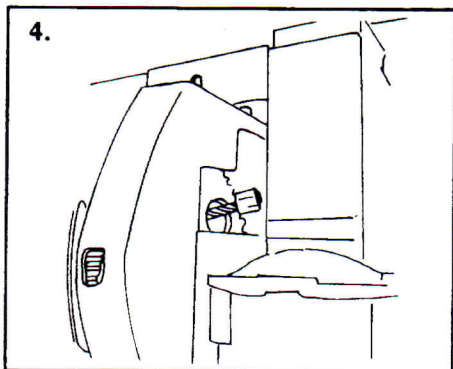
1. Pass cable through the hole in the cable drum and through a hole in the large bronze gear.



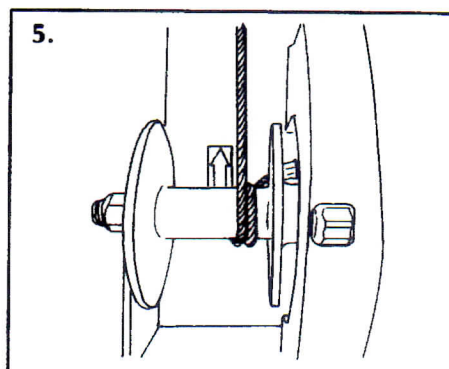
2. Place cable stop just over the end of the cable.



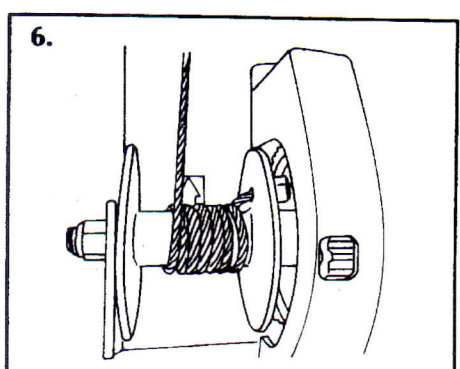
3. Lay cable and cable stop on a hard surface and crimp cable stop using a hammer or crimping tool.



4. Pull cable back through the gear guard and the hole in the bronze gear, until cable stop is against the cable drum.



5. Following the direction arrow on the winch mounting plate, begin spooling cable onto the winch.



6. Watch cable as it spools onto the winch to make sure cable spools smoothly and evenly.